

# McHenry EQUIPMENT

SALES · SERVICE · RENTALS

{Portable}

# HSP Series

## Gasoline - Direct Drive

The HSP Series is designed with a patented electro magnetic firing system, which means there is no need for a 12V battery, generator, blower motor and alternator; therefore, making these units especially maintenance friendly.



HSP-3004-3MGH



### Additional Features:

- ✓ Performance-proven engine with low-oil protection and recoil start
- ✓ Direct drive triplex ceramic piston AR pump with forged brass manifold
- ✓ Thermal relief valve
- ✓ Stainless-steel and brass unloader valve
- ✓ Low pressure detergent injection
- ✓ Complete system diagnostic board
- ✓ Pressure and high limit safety controls
- ✓ Temperature rise 150°F/66°C above ambient, maximum outlet temperature is 200°F
- ✓ No. 1 or No. 2 diesel or kerosene fired burner
- ✓ Polyethylene burner fuel tank
- ✓ Powder coated steel hose reel mounting bracket
- ✓ Wand holder
- ✓ Locking tire brake
- ✓ Solid steel threaded axles
- ✓ Pneumatic tires with tubes (4)
- ✓ 50-foot x 3/8-inch steel wire-braided pressure hose with screw connects, swivel and bend restrictors
- ✓ Professional-grade insulated trigger gun with safety lock-off
- ✓ Adjustable pressure insulated dual lance with 15-degree fixed and detergent nozzle



*High quality fuel filter/water separator ensures clean fuel supply*



*Energy efficient top-fired powder coated heat exchanger designed for convenient*

*trouble-shooting and easy maintenance*



*Reinforced powder coated steel tube frame with center balanced lifting hook*



*Patented electro magnetic firing (EMF) system*



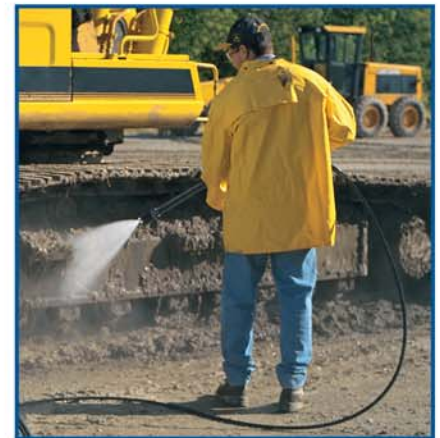
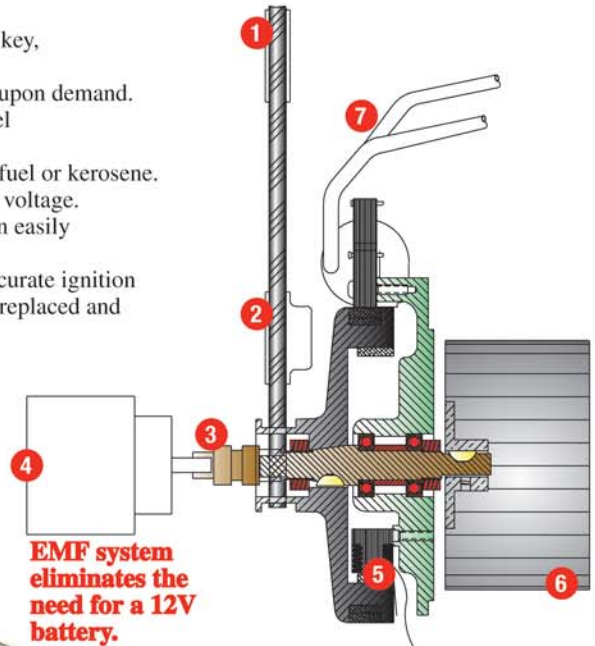
*Easy coil drain helps prevent freezing in cold weather*

## Specifications:

Model #	HSP-2403-3MGH	HSP-2403-3MGR	HSP-3003-3MGH	HSP-3003-3MGR	HSP-3004-3MGH	HSP-3504-3MGH
Pressure (psi)	2400	2400	3000	3000	3000	3500
Flow (gpm)	2.6	2.6	2.9	2.9	3.5	3.3
Engine	Honda OHV	Subaru OHC	Honda OHV	Subaru OHC	Honda OHV	Honda OHV
Horsepower	6.5	7.0	9.0	9.0	13.0	13.0
Gas tank cap.	0.97 gallon	0.95 gallon	1.59 gallon	1.59 gallon	1.70 gallon	1.70 gallon
Burner fuel tank cap.	4.0 gallon	4.0 gallon	5.5 gallon	5.5 gallon	5.5 gallon	5.5 gallon
Burner fuel cons.	1.53 gph	1.53 gph	1.84 gph	1.84 gph	2.14 gph	2.14 gph
Dim. (LxWxH)	38in.x30in.x38in.	38in.x30in.x38in.	43in.x30in.x41in.	43in.x30in.x41in.	43in.x30in.x41in.	43in.x30in.x41in.
Shipping weight	385 lbs.	385 lbs.	530 lbs.	530 lbs.	551 lbs.	551 lbs.
Net weight	269 lbs.	269 lbs.	407 lbs.	407 lbs.	428 lbs.	428 lbs.

### PATENTED EMF SYSTEM

1. Engine sheave, dual set screw mount, maintains proper alignment of pump shaft key, preventing unnecessary wear of pump and engine shaft.
2. The belt tension sheave creates proper belt tension so fuel pump discharges fuel upon demand.
3. The long lasting, non-corrosive flexible drive coupler protects EMF system if fuel pump locks up.
4. Fuel pump is a durable high quality pump that will deliver No. 1 or No. 2 diesel fuel or kerosene.
5. Stator coil/magnets are a low maintenance system that provides solenoid control voltage.
6. Fan provides burner air for proper combustion and clean exhaust smoke. It has an easily accessible air flow control.
7. Ignition coil provides voltage to electrodes for proper spark voltage, allowing accurate ignition of fuel every time the trigger is pulled. The ignition coil has a long life, is easily replaced and has a proven track record in the industry.



### Options:

- 20-9050      **Rain cap** - Protects boiler from moisture build-up when unit is left outside
- HX-0098      **Electric start (battery included)** - For easy starting
- TX-1004-W      **Puncture-proof tires** - Tires are flat-free, maintenance-free and non-marking, 10-inch, white hub, four tires
- TX-1304-W      **Puncture-proof tires** - Tires are flat-free, maintenance-free and non-marking, 13-inch, white hub, four tires

Model #	20-9050	HX-0098	TX-1004-W	TX-1304-W
HSP-2403-3MGH			●	
HSP-2403-3MGR			●	
HSP-3003-3MGH				●
HSP-3003-3MGR				●
HSP-3004-3MGH	●	●		●
HSP-3504-3MGH	●	●		●

**270 Interstate Court  
Fredrick, MD 21704  
(301) 663-4683  
(800) 221-6905**